

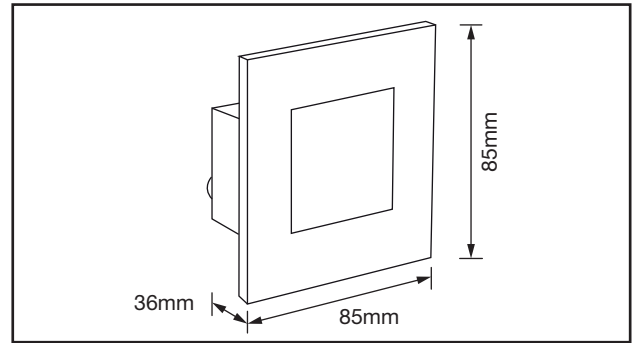
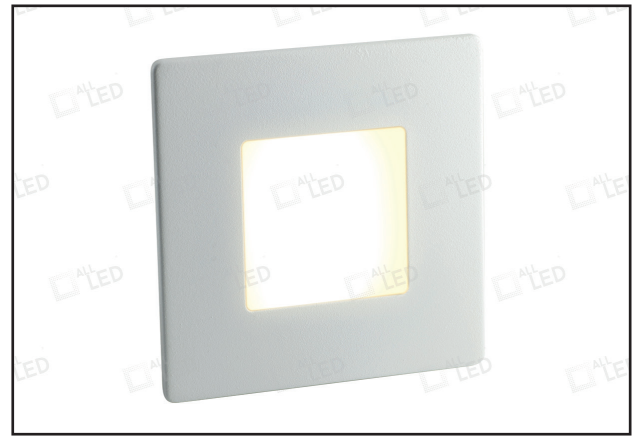
ALSQ240CCT/WH

3W IP54 CCT LED Square Low Level

TRAFALGAR™

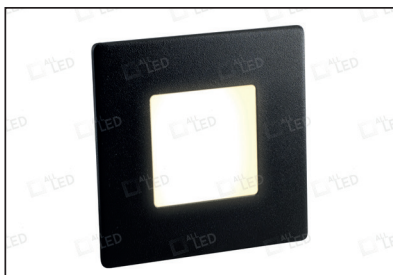
PRODUCT FEATURES

- CCT Selectable (3000K/4000K/6000K)
- IP54 Rated
- Ultra Slim Profile
- Opal Polycarbonate Lens
- Strong Polycarbonate Body
- Ideal For Stair & Plinth Lighting
- Paintable Polar White Finish Bezel
- Screwless Design
- Mains Dimmable
- Fixings Included
- Clip-On Designed Bezels
- Carbon Black & Stainless Steel Bezels Available*



TECHNICAL SPECIFICATIONS

| PRODUCT CODE | ALSQ240CCT/WH |
|-------------------------------|--|
| Luminous Flux | 165lm |
| Useful Luminous Flux | 165lm |
| CCT | 3000K / 4000K / 6000K |
| Beam Angle | 120° |
| SDCM | <6 |
| CRI | >80 |
| Peak Intensity | 49.5cd |
| Operating Voltage | 220-240VAC |
| Max Output Power | 3W |
| Operating Current | 0.015A |
| Standby Power | 0W |
| Class | II |
| Body Material | Polycarbonate Body, Powder Coated Polar White Stainless Steel 304 Fascia |
| Cut Out | 75x75 Mm Or 1g Back Box |
| Frame Colour | Polar White |
| Switching Cycles | 15,000 |
| Ingress Protection | IP54 (Indoor Use Only) |
| Ambient Operating Temperature | -20°C ~ +40°C |
| Input Frequency | 50-60HZ |
| Guarantee | 2 Years |
| Dimmable | Yes (V-Pro Recommended) |
| Input Type | Alternating Current |
| Lifetime | 25,000 Hrs |



Carbon Black Bezel*
ALSQ240CCTBZ/BLK



Stainless Steel Bezel*
ALSQ240CCTBZ/SS



*Sold Separately